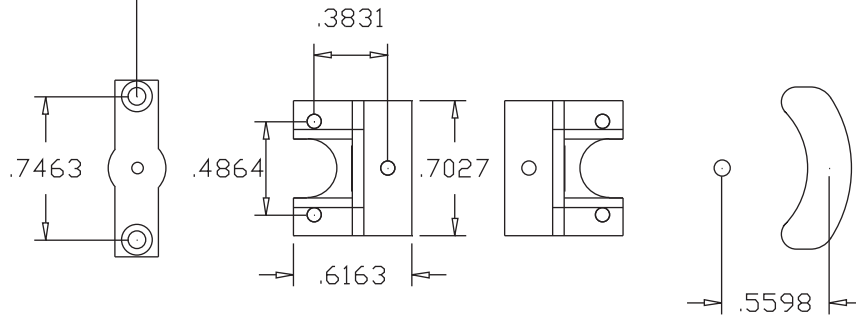
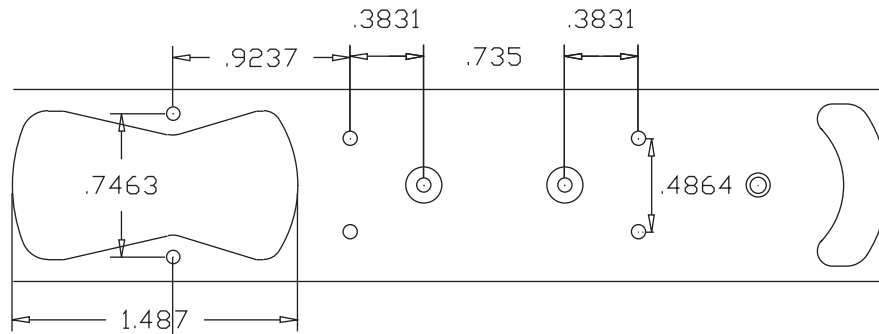
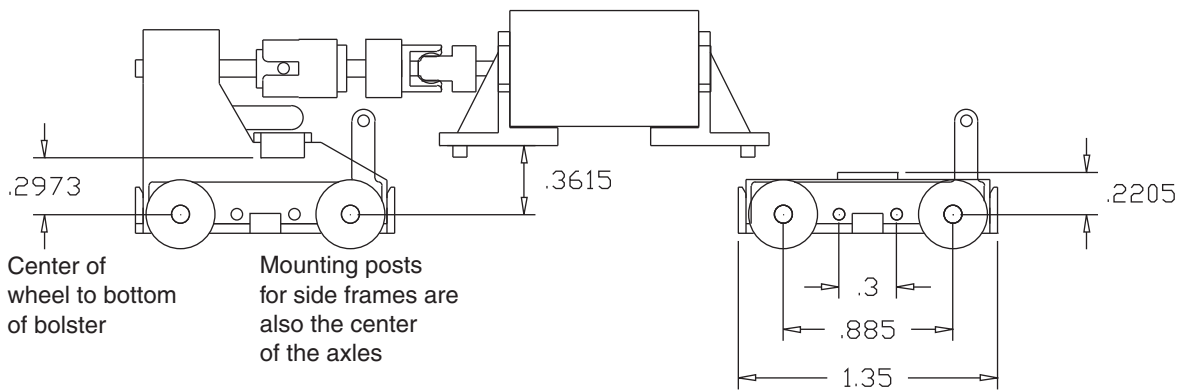


HO Trolley mechanism drawings.



Distance from center of bolster mounting hole and center of wheels is .093

Center hole distance from the motor mounts for trailing truck screw will vary with the length of your trolley



Center of wheel to bottom of bolster

Mounting posts for side frames are also the center of the axles

